

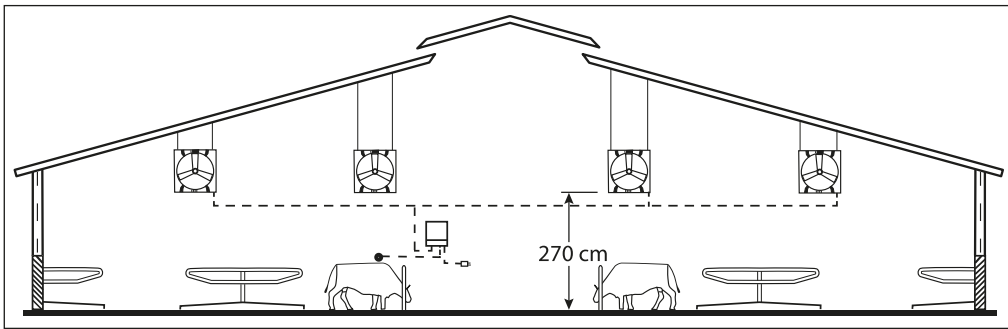
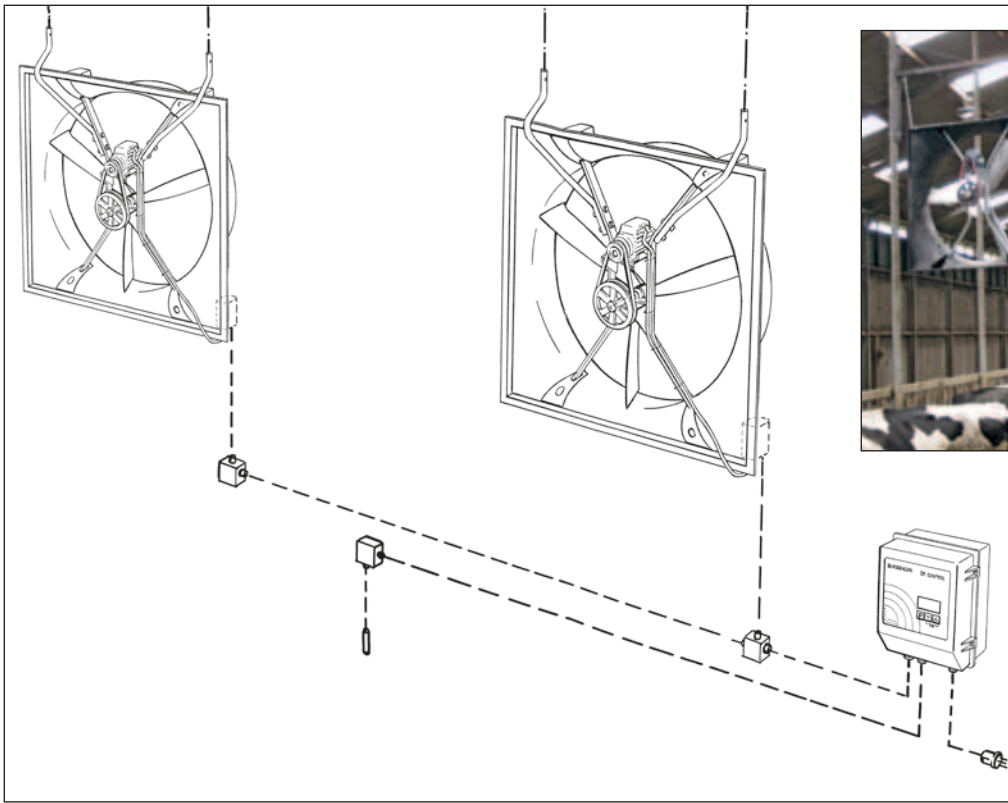


Dairy cattle  
ventilation systems



***DF-Control : simple and reliable !***

***F-Control, (Dairy Frequency control)  
a new frequency inverter for 3-phase motors with  
extra energy efficiency***



A new hightech frequency inverter provides an extra energy saving when used with our fans. No matter when you want to control one, two or more fans, the new modern DF-Control provides a low noise and reliable use of your fans.

A modern control technology with an integrated all-pole effective sinusoidal filter delivers an energy saving working principle, an investment worthwhile and profitable.

**Advantages :**

- Shielded motor cables are not required
- No cable length restrictions
- Trouble-free parallel operation of fans
- Integrated all-pole effective sinusoidal filter results in noiseless operation without electromagnetic motor noise
- Also suitable for older fans
- No modification of cables with existing installations
- Programmable presettings for any ventilation concept
- No danger for the motors through voltage peaks
- Integrated multifunctional display
- Available from 2.5 A - 40 A



**Abbi-Aerotech B.V.**  
 Transportweg 50 3371 MB Hardinxveld-Giessendam The Netherlands  
 Tel. 0031 184 711344  
 info@abbi-aerotech.com <http://www.abbi-aerotech.com>