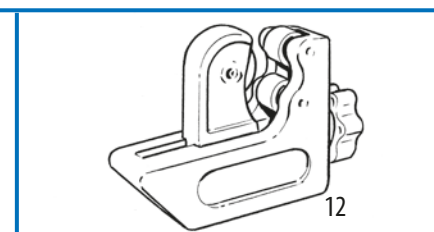
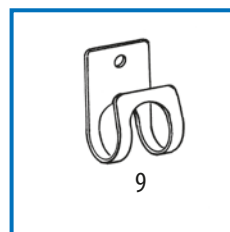
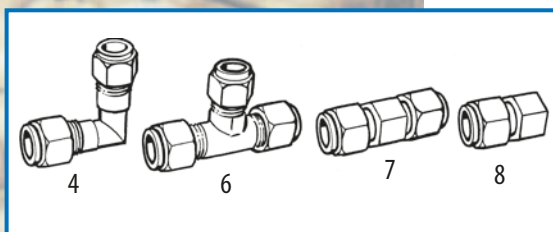
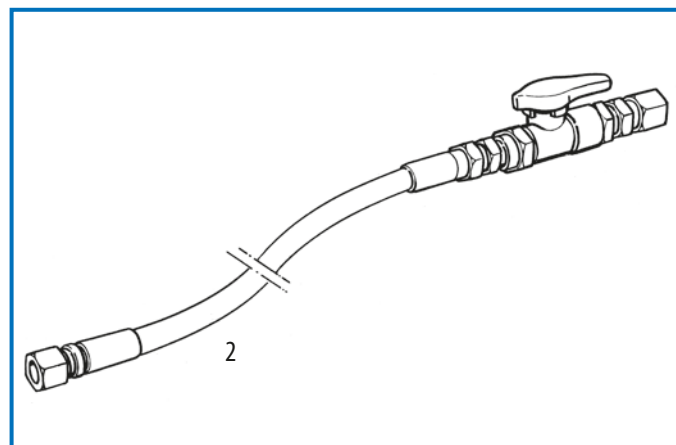
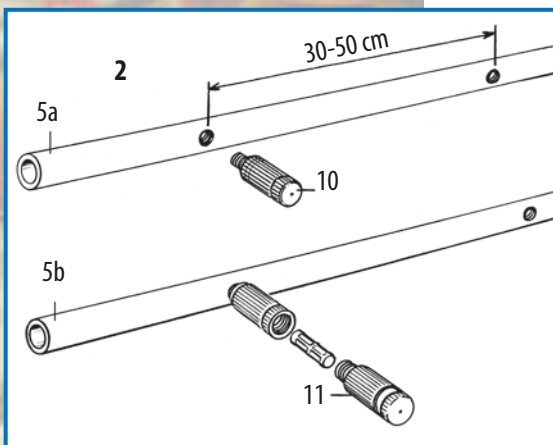
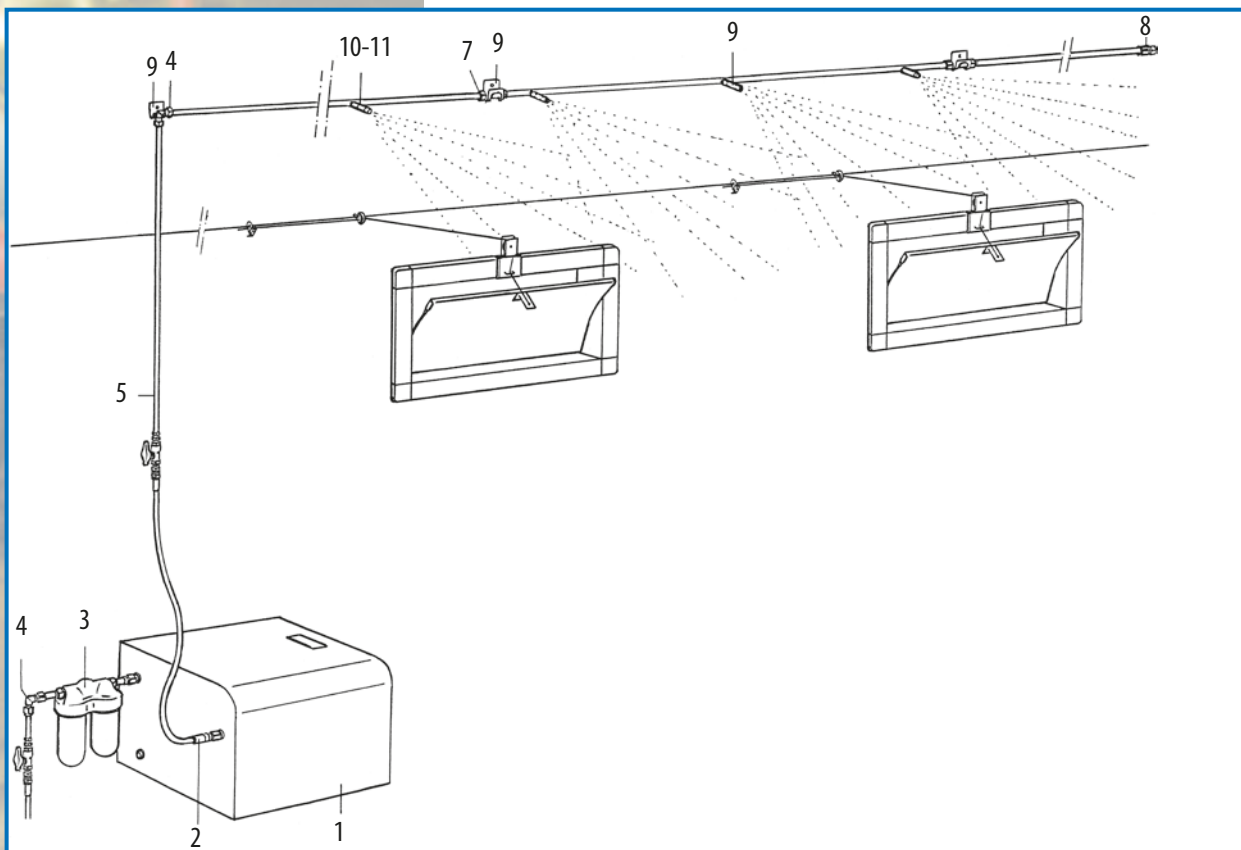


HP Foggingsystem with s.s.pipes



- | | |
|---|---|
| <ol style="list-style-type: none"> 1. Fog Module (HP pump) 70 bar 2. Connection kit from Fog Module to HP s.s. pipe (1.5 m) w. ball valve 3. Inlet water filter kit w. pressure stabilizer 4. Elbow (9,5 or 12 mm) 5 a. Galv. pipe (9,5 or 12 mm) predrilled 5 b. S.S. pipe (9,5 or 12 mm) predrilled | <ol style="list-style-type: none"> 6. T-piece (9,5 or 12 mm) 7. Pipe compression fitting straight (9,5 or 12 mm) 8. End line cap (9,5 or 12 mm) 9. S.S. fixing bracket 10. Nozzle, several capacities 11. Nozzle with extra filter, several capacities 12. Pipe cutter |
|---|---|