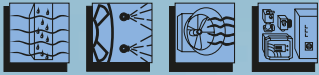


Cooling and ventilation systems

GROWER FAN



LOW COST AND OUTSTANDING PERFORMANCE



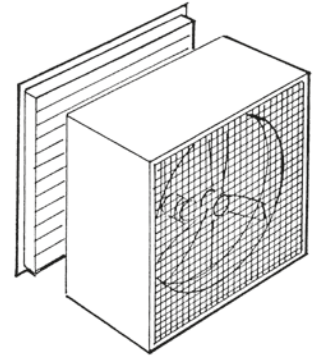
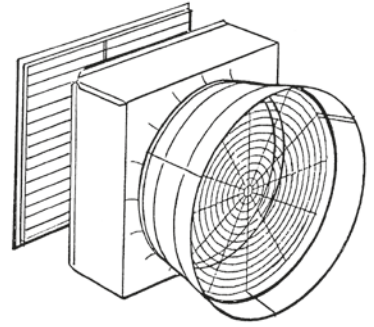
Cooling and ventilation systems

Abbi-Aerotech B.V.

Transportweg 50
3371 MB Hardinxveld-Giessendam
The Netherlands
Tel. 0031-184-711344
Fax 0031-842-103733
info@abbi-aerotech.com
http://www.abbi-aerotech.com

FEATURES :

- Available in 2 models: with and without cone.
- Galvanised-steel panels with spun orifices provide superior strength, rigidity and smooth, efficient airflow.
- Aerodynamic 3-blade propellers for maximum aircapacity.
- High forced orificelip for maximum efficiency.
- Motors are totally enclosed and placed in airstream for extra cooling and durability.
- Aerolink Plus™ belts outperform conventional belts by resisting vibration, wear and stretching for a long life.
- Plastic shutters open easily with minimal airflow resistance, yet close tightly to prevent air leaks.
- Motor : 3-phase 400V 50Hz.



Technical data

	GB36	GB481	GB4815
Motor kW	0,37	0,75	1,12
Ampère A	1,4	2,0	2,4
Volt V	380/400	380/400	380/400
Abmessung cm	108x108	138x138	138x138

Grower fan with cone :

Model	0 Pa		12.5 Pa		25 Pa	
	W/1000 m ³	m ³ /h	W/1000 m ³	m ³ /h	W/1000 m ³	m ³ /h
GB 36 V3-CP-50	28.71	19.210	31.64	18.360	35.45	17.340
GB 481 V3-CP-50	26.16	40.290	28.99	38.590	32.16	36.720
GB 4815 V3-CP-50	30.65	43.350	33.44	41.820	36.33	40.120

Model	31 Pa		38 Pa		50 Pa	
	W/1000 m ³	m ³ /h	W/1000 m ³	m ³ /h	W/1000 m ³	m ³ /h
GB 36 V3-CP-50	37.48	16.830	39.76	16.150	44.58	14.960
GB 481 V3-CP-50	33.82	35.700	35.67	34.680	39.23	32.640
GB 4815 V3-CP-50	37.97	39.270	39.76	38.420	43.59	36.550

Grower fan without cone :

Model	0 Pa		12.5 Pa		25 Pa	
	W/1000 m ³	m ³ /h	W/1000 m ³	m ³ /h	W/1000 m ³	m ³ /h
GB 36 Q3-50	33.82	16.660	36.56	15.980	39.76	14.960
GB 481 Q3-50	31.47	34.170	34.22	32.470	37.25	30.600
GB 4815 Q3-50	40.59	38.420	43.27	36.890	46.34	35.530

Model	31 Pa		38 Pa		50 Pa	
	W/1000 m ³	m ³ /h	W/1000 m ³	m ³ /h	W/1000 m ³	m ³ /h
GB 36 Q3-50	41.74	14.450	44.25	13.940	49.87	12.580
GB 481 Q3-50	38.97	29.750	41.15	28.730	45.98	26.350
GB 4815 Q3-50	47.85	34.680	49.87	33.830	54.49	31.620